

WB D40.50 V230.400 STTZN V2A (105 347)

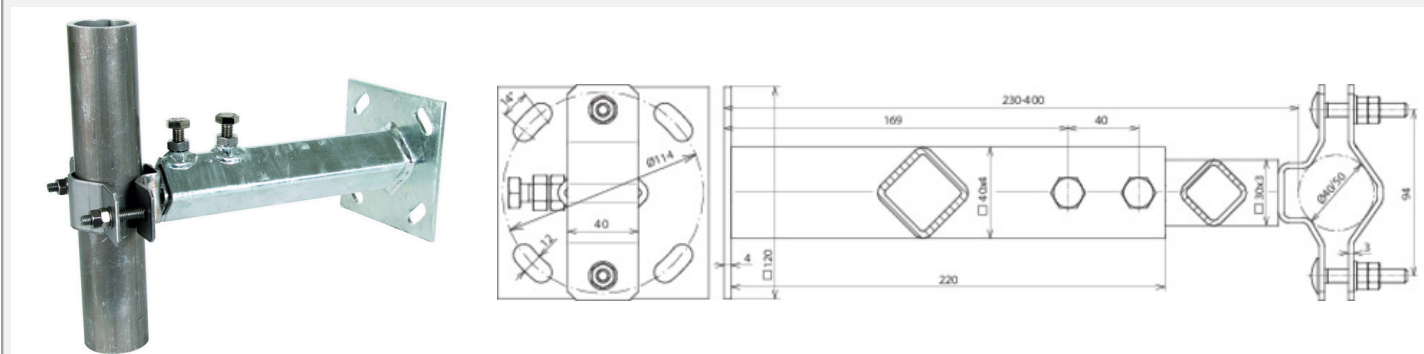


Figure without obligation

Same design as Part No. 105 343, but adjustable from 230-400 mm.

Type	WB D40.50 V230.400 STTZN V2A
Part No.	105 347
Material	St/tZn / StSt
Fixing	[4x] 12 x 26 mm
Distance from wall	230-400 mm
Clamping range for air-termination rod	40-50 mm
Material of screw	StSt
Weight	2,42 kg
Customs tariff number (Comb. Nomenclature EU)	85389099
GTIN	4013364278554
PU	1 pc(s)

We reserve the right to introduce changes in performance, configuration and technology, dimensions, weights and materials in the course of technical progress. The figures are shown without obligation.