



## SVK 7.10 FL30 V4A (308 249)

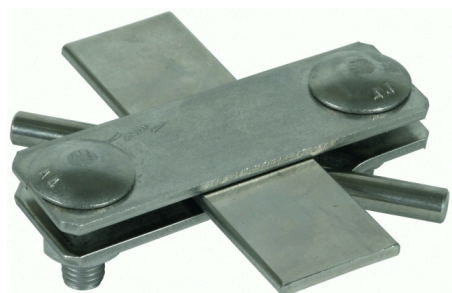
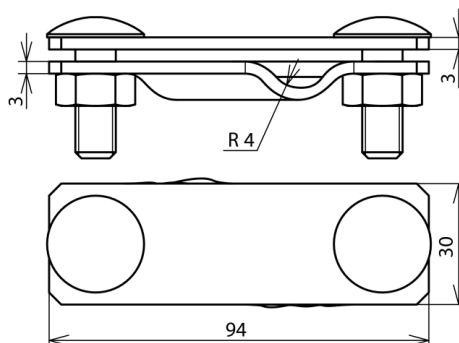


Figure without obligation



Arrangement:



Type	SVK 7.10 FL30 V4A
Part No.	308 249
Material of clamp	StSt (V4A)
Clamping range Rd / FI	7-10 / 30 mm
Clamping range FI / FI	30 / 30 mm
Clamping range (stranded / cable)	35-120 mm <sup>2</sup>
Screw	⬆ M10 x 30 mm
Material of screw / nut	StSt (V4A)
Material No.	1.4571 / 1.4404 / 1.4401
ASTM / AISI:	316Ti / 316L / 316
Dimensions (l1 x d1)	94 x 3 mm
Lightning current carrying capability (10/350 μs)	100 kA <sup>*)</sup>
Standard	EN 62561-1
Weight	200 g
Customs tariff number (Comb. Nomenclature EU)	85359000
GTIN	4013364129313
PU	25 pc(s)

\*) For exact assignment see test certificate.

We reserve the right to introduce changes in performance, configuration and technology, dimensions, weights and materials in the course of technical progress. The figures are shown without obligation.