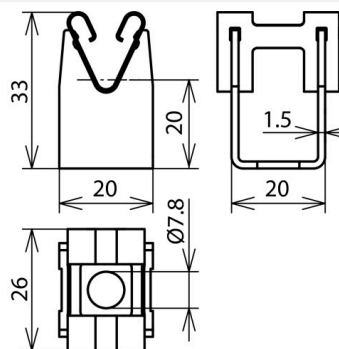


**LH DG 8 H20 B7.8 CU (207 007)**



Figure without obligation



Type	LH DG 8 H20 B7.8 CU
Part No.	207 007
Type of conductor holder	DEHNgrip
Height of conductor holder	20 mm
Hole of conductor holder	Ø7.8 mm
Material of conductor holder	Cu
Conductor support Rd	8 mm
Conductor routing	loose
Standard	EN 62561-4
Weight	16 g
Customs tariff number (Comb. Nomenclature EU)	85389099
GTIN	4013364054899
PU	50 pc(s)

We reserve the right to introduce changes in performance, configuration and technology, dimensions, weights and materials in the course of technical progress. The figures are shown without obligation.