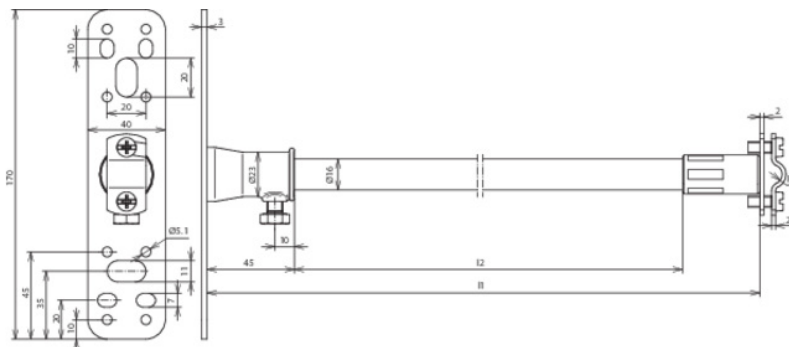


DIDH 7.10 1030 BP V2A GFK (106 105)



Figure without obligation



Type	DIDH 7.10 1030 BP V2A GFK
Part No.	106 105
Conductor support Rd	7-10 mm
Material of conductor holder	StSt
Length (l1)	1030 mm
Insulating clearance (l2)	945 mm
Fixing	[8x] Ø5.1 / [4x] 7 x 10 / [2x] 11 x 20 mm
Material of plate	StSt
Application note	for insulated fixing of conductors
Diameter Ø of spacer	16 mm mm
Colour of spacer	light grey (RAL 7035) •
Conductor routing	fixed
Rod / conductor holder	two-screw clamp
Material of spacer	GRP
Material factor km	0.7
Permanent temperature range	-50 °C ... +100 °C
Material of fixing bush	ZDC
Type	UV-stabilised and weather-resistant
Max. gust wind speed (holder distance 1000 mm, Al Ø8 mm)	140 km/h
Standard	DIN IEC/TS 62561-8 (VDE V 0185-561-8)
Weight	658 g
Customs tariff number (Comb. Nomenclature EU)	85389099
GTIN	4013364100206
PU	1 pc(s)

We reserve the right to introduce changes in performance, configuration and technology, dimensions, weights and materials in the course of technical progress. The figures are shown without obligation.

Verisons with other spacer bar lengths are available upon request.