



VK DB KR 6.20 8.10 FL30 BSB STBL (308 033)

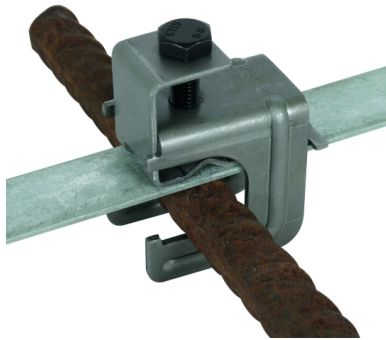
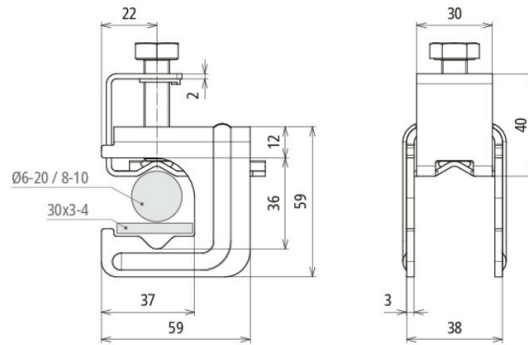


Figure without obligation



Type	VK DB KR 6.20 8.10 FL30 BSB STBL
Part No.	308 033
Material	St/bare
Clamping range Rd / Rd	(+II) 6-20 / 8-10 mm
Clamping range Rd / FI	(+II) 6-20 / 30 x 3-4 mm
Clamping range FI / FI	(+II) 30 x 3-4 / 30 x 3-4 mm
Screw	● M10 x 35 mm
Material of screw	St/bare
Version	With clamping ring
Short-circuit current (a.c. 50 Hz / d.c.) (1 s; ≤ 300 °C)	8.4 kA
Lightning current carrying capability (10/350 μs)	50 kA ^{*)}
Standard	EN 62561-1
Weight	231 g
Customs tariff number (Comb. Nomenclature EU)	85359000
GTIN	4013364519978
PU	25 pc(s)

^{*)} For exact assignment see test certificate.

We reserve the right to introduce changes in performance, configuration and technology, dimensions, weights and materials in the course of technical progress. The figures are shown without obligation.