



SBD 60 PAK 35 EX ER (306 220)

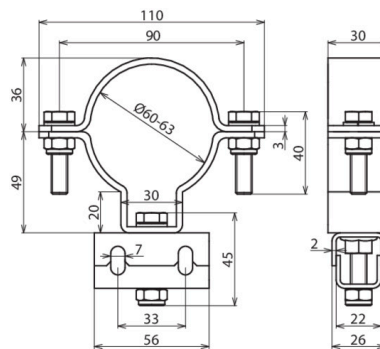


Figure without obligation

Equipotential bonding pipe clamp (SBD 60 PAK 35)

- Connection only with ring equipotential bonding conductor 35 mm², Part No. 832 838 (tinned copper cable)
- For mounting on round pipe DN50 (60 mm)
- EB clamp to be mounted approx. every 0.5 m

| Type | SBD 60 PAK 35 EX ER |
|---|--------------------------------|
| Part No. | 306 220 |
| Material | StSt |
| Dimensions | Ø60 mm |
| Clamping range EB ring conductor | 35 mm ² , Cu/gal Sn |
| EX zone | 2/22 |
| Weight | 394 g |
| Customs tariff number (Comb. Nomenclature EU) | 85359000 |
| GTIN | 4013364327436 |
| PU | 50 pc(s) |

We reserve the right to introduce changes in performance, configuration and technology, dimensions, weights and materials in the course of technical progress. The figures are shown without obligation.