



UKSV 6.10 AQ16 50 V4A (540 122)

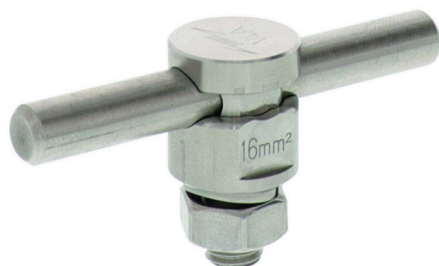
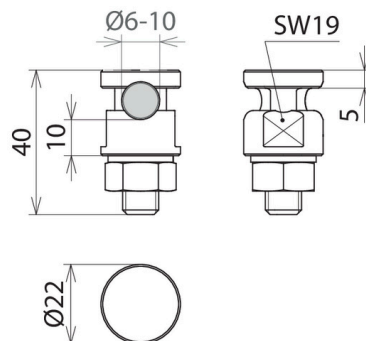


Figure without obligation



Universal clamping screw connector for the lightning-current-carrying connection of round conductors and also of solid / stranded conductors, e.g. to flat profiles, downpipe clamps as well as equipotential bonding bars.

Type	UKSV 6.10 AQ16 50 V4A
Part No.	540 122 ✓
Material	StSt (V4A)
Material No.	1.4571 / 1.4404 / 1.4401
ASTM / AISI:	316Ti / 316L / 316
Clamping range Rd	6-10 mm
Connection (solid / stranded)	16-50 mm ²
Screw	M10 mm
Lightning current carrying capability (10/350 µs)	/ *)
Standard	EN 62561-1
Short-circuit current (AC 50 Hz / DC) (1 s; ≤ 300°C)	3.9 kA
Weight	63 g
Customs tariff number (Comb. Nomenclature EU)	85359000
GTIN	4013364379930
PU	25 pc(s)

*) See test certificate for exact classification.

We reserve the right to introduce changes in performance, configuration and technology, dimensions, weights and materials in the course of technical progress. The figures are shown without obligation.