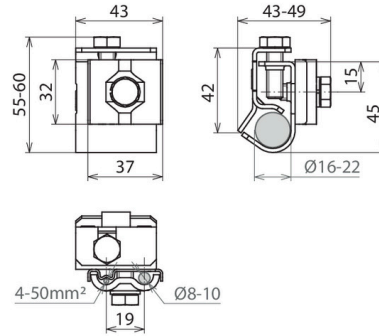




DRK 8.10 AQ4 50 W16.22 V2A (540 120)



Figure without obligation



Gutter clamp for the lightning-current-carrying connection of the antenna earthing (e.g. 16 mm²) at the cross point with the gutter.



Arrangement:

Type	DRK 8.10 AQ4 50 W16.22 V2A
Part No.	540 120 ✓
Material	StSt
Clamping range bead	16-22 mm
Clamping range Rd	8-10 mm
Connection (solid / stranded)	4-50 mm ²
Screw	M8 x 20 / 25 mm
Material of screw	StSt
Lightning current carrying capability (10/350 µs)	100 kA *)
Standard	EN 62561-1
Weight	144 g
Customs tariff number (Comb. Nomenclature EU)	85359000
GTIN	4013364379947
PU	25 pc(s)

*) See test certificate for exact classification.

We reserve the right to introduce changes in performance, configuration and technology, dimensions, weights and materials in the course of technical progress. The figures are shown without obligation.