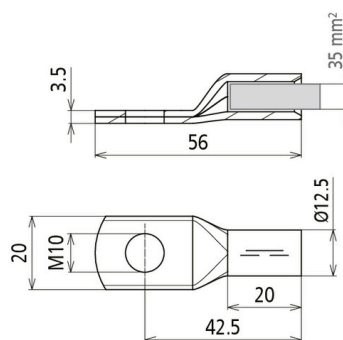


PKS 35 10 CUGALNISN (472 434)



Figure without obligation



Crimped cable lug according to DIN 46235 with nickel barrier layer to avoid whisker formation.

Type	PKS 35 10 CUGALNISN
Part No.	472 434
Material	Cu/gal (Ni)Sn
Lightning impulse current (10/350 µs) Cugal (Ni)Sn 35 mm ² (Rm/Rf) / stainless steel 40x10 mm	1HEXIIIC 100 kA (non-sparking) T4
Max. short-circuit current (AC 50 Hz / DC / 5 s) Cugal (Ni)Sn 35 mm ² (Rm/Rf) / StSt 40x10 mm	1600 A / T4
Max. surface temperature T4	135 °C
Cable lug hole	M10
Conductor cross-section	35 mm ²
Weight	32 g
Customs tariff number (Comb. Nomenclature EU)	85359000
GTIN	4013364470552
PU	3 pc(s)

Note: Non-sparking only ensured in connection with PAS EX ...!

We reserve the right to introduce changes in performance, configuration and technology, dimensions, weights and materials in the course of technical progress. The figures are shown without obligation.