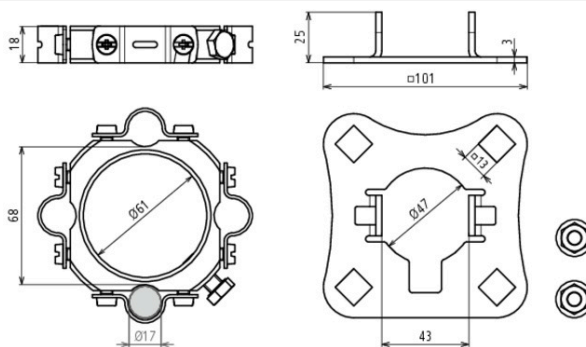


**BFS SR D50 4AE HVI LI AL V2A (819 289)**



Figure without obligation



Fixing kit for mounting the HVI light Conductor on the supporting tube Ø50 mm consisting of connection plate (for four conductors, incl. two serrated lock nuts) and fixing ring with four slotted conductor holders (Ø20 mm) for the adjustment range (incl. two cable ties).

Type	BFS SR D50 4AE HVI LI AL V2A
Part No.	819 289
Material	StSt /Al
Diameter Ø fixing ring	61 mm
Connection plate support	square hole 13 mm
Conductor holder	4 x 17 mm
Standard	DIN IEC/TS 62561-8 (VDE V 0185-561-8)
Weight	430 g
Customs tariff number (Comb. Nomenclature EU)	85389099
GTIN	4013364236486
PU	1 pc(s)

We reserve the right to introduce changes in performance, configuration and technology, dimensions, weights and materials in the course of technical progress. The figures are shown without obligation.