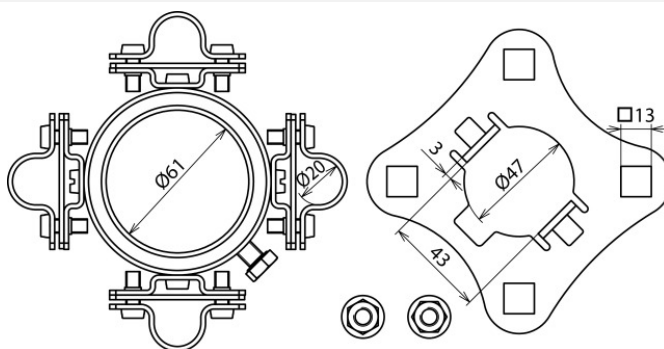


BFS D61 4X20 (819 294)



Figure without obligation



Fixing kit for installation of the HVI long Conductor on HVI long supporting tubes, consisting of a connection plate (4x, including two self-locking nuts with serrated bearings) and a fixing ring with four slotted conductor holders (Ø20 mm) for the sealing end (including two cable ties with plastic holder halves).

Type	BFS D61 4X20
Part No.	819 294
Material	StSt / Al
Diameter Ø fixing ring	61 mm
Connection plate support	square hole 13 mm
Conductor holder	4 x 20 mm
Standard	DIN IEC/TS 62561-8 (VDE V 0185-561-8)
Weight	701 g
Customs tariff number (Comb. Nomenclature EU)	85389099
GTIN	4013364152571
PU	1 pc(s)

We reserve the right to introduce changes in performance, configuration and technology, dimensions, weights and materials in the course of technical progress. The figures are shown without obligation.