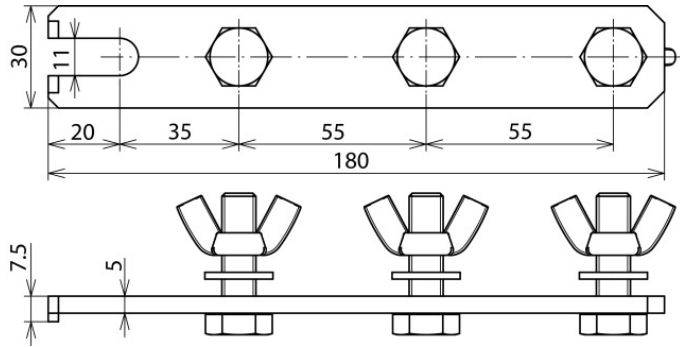


ESS 3P M10X35 STTZN (465 801)



Figure without obligation



| Type | ESS 3P M10X35 STTZN |
|---|------------------------|
| Part No. | 465 801 |
| Design | three-pole |
| Material of busbar | St/tZn |
| Length | 181 mm |
| Screw | M10 x 35 mm |
| Nut | wing nut M10 |
| Material of screw / nut | StSt |
| Certification | according to VG 95 211 |
| Certification document | K16/1 033 |
| Weight | 321 g |
| Customs tariff number (Comb. Nomenclature EU) | 85359000 |
| Stock No. | 5940-12-156-8385 |
| GTIN | 4013364030091 |
| PU | 1 pc(s) |

We reserve the right to introduce changes in performance, configuration and technology, dimensions, weights and materials in the course of technical progress. The figures are shown without obligation.

Packing in accordance with specifications of the VG standards (defence equipment standards) must be explicitly indicated when ordering.