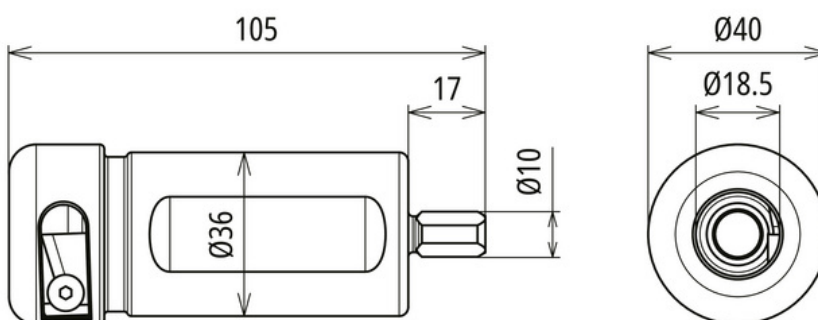


ISO HEAD 21 (597 125)



Figure without obligation



Cutting head for HVI light plus Conductor.

Type	ISO HEAD 21
Part No.	597 125 <small>NEW</small>
Diameter Ø conductor	21 mm
Material of moulded part	Al
Material of blade	Steel alloy
Colour	red •
Dimensions	approx. 105 x 40 mm
Weight	277 g
Customs tariff number (Comb. Nomenclature EU)	82055980
GTIN	4013364513945
PU	1 pc(s)

We reserve the right to introduce changes in performance, configuration and technology, dimensions, weights and materials in the course of technical progress. The figures are shown without obligation.