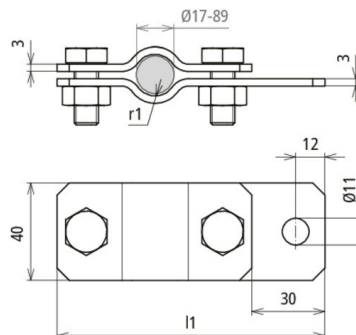




**ERS 89 AB11 STTZN (410 300)**



Figure without obligation



Arrangement:

Type	ERS 89 AB11 STTZN
Part No.	410 300
Clamping range pipe Ø	89 mm
Material	St/tZn
Screw	M10 x 25 mm
Material of screw / nut	St/tZn
Dimensions (l1 x r1)	182.5 x 44.5 mm
Lightning current carrying capability (10/350 µs)	100 kA <sup>*)</sup>
Standard	EN 62561-1
Weight	416 g
Customs tariff number (Comb. Nomenclature EU)	85359000
GTIN	4013364026315
PU	1 pc(s)

<sup>\*)</sup> For exact assignment, see test certificate.

We reserve the right to introduce changes in performance, configuration and technology, dimensions, weights and materials in the course of technical progress. The figures are shown without obligation.