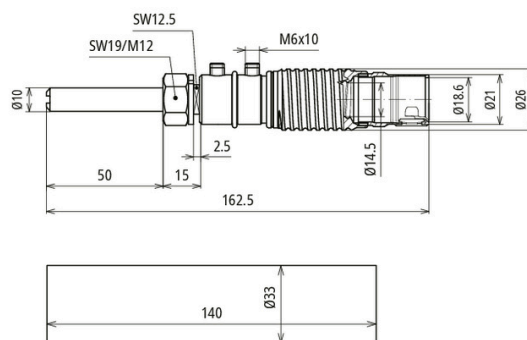


## AE ISO BO10 KF HVI 60 V2A (819 646)



Figure without obligation



An insulating connection element for sealing the HVI light plus Conductor on the earth side.

By using insulating connection elements, a dielectric withstand test can be carried out on the HVI light plus Conductor. This insulating connection element can be used for connecting the HVI light plus to earth.

Type	AE ISO BO10 KF HVI 60 V2A
Part No.	819 646
It should be installed	Earth-side
Suitable for	HVI light plus
Material	StSt / plastic
Connection	Bolt Ø10 mm, L 50 mm with M12 thread with spring washer
Design	incl. heat-shrinkable sleeve
Screw	Threaded pin M6 mm
Material of screw / nut	StSt
Lightning current carrying capability (10/350 µs)	150 kA
Weight	178 g
Customs tariff number (Comb. Nomenclature EU)	85359000
GTIN	4013364511460
PU	5 pc(s)

We reserve the right to introduce changes in performance, configuration and technology, dimensions, weights and materials in the course of technical progress. The figures are shown without obligation.