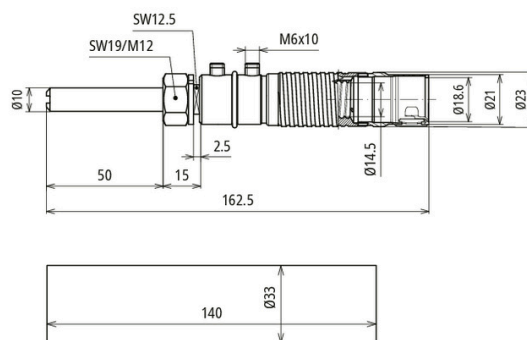


AE ISO RAV KF HVI 60 V2A (819 648)



Figure without obligation



A connection element for sealing the HVI light plus Conductor, for implementing the sealing end of the conductor on the supporting tube (head piece) or for connecting to other parts of the external lightning protection system (including a heat-shrinkable sleeve). This connection element can be used for installation outside the tube for HVI light plus supporting tubes.

Type	AE ISO RAV KF HVI 60 V2A
Part No.	819 648
It should be installed	Installation outside the tube
Suitable for	HVI light plus
Material	StSt / plastic
Connection	Bolt Ø10 mm, L 50 mm with M12 thread with spring washer
Design	incl. heat-shrinkable sleeve
Screw	Threaded pin M6 mm
Material of screw / nut	StSt
Lightning current carrying capability (10/350 µs)	150 kA
Weight	172 g
Customs tariff number (Comb. Nomenclature EU)	85359000
GTIN	4013364511484
PU	5 pc(s)

We reserve the right to introduce changes in performance, configuration and technology, dimensions, weights and materials in the course of technical progress. The figures are shown without obligation.