

PAE 18 EX AB11 V2A (410 222)

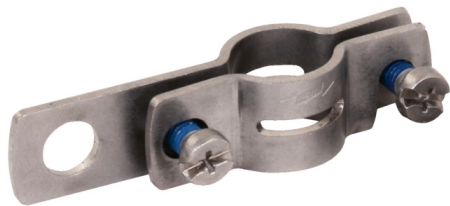
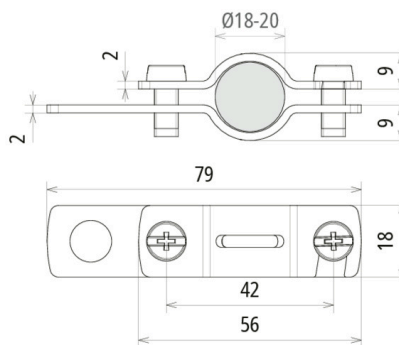


Figure without obligation



For discharging the electric field of the HVI light plus Conductor in the sealing end range or in other cases.

Type	PAE 18 EX AB11 V2A
Part No.	410 222
Material	StSt
Clamping range Ø	18 mm
Connection hole Ø	10.5 mm
Screw	⊕ M6 x 14 mm
Material of screw / nut	StSt
Standard	DIN IEC/TS 62561-8 (VDE V 0185-561-8)
Weight	42 g
Customs tariff number (Comb. Nomenclature EU)	85359000
GTIN	4013364482289
PU	1 pc(s)

We reserve the right to introduce changes in performance, configuration and technology, dimensions, weights and materials in the course of technical progress. The figures are shown without obligation.