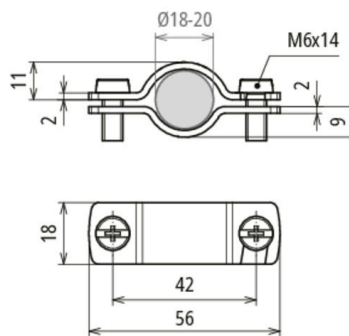


**MPK 18 V2A (819 649)**



Figure without obligation



Measuring point terminal for permanent installation for connecting measuring equipment for the dielectric withstand test of HVI light plus Conductors and HVI Conductors.

Type Part No.	MPK 18 V2A 819 649
Suitable for	HVI light plus and HVI
Material	StSt
Clamping range Ø	18–20 mm
Screw	⊕ M6 x 14 mm
Material of screw / nut	StSt
Weight	38 g
Customs tariff number (Comb. Nomenclature EU)	85389099
GTIN	4013364512498
PU	5 pc(s)

We reserve the right to introduce changes in performance, configuration and technology, dimensions, weights and materials in the course of technical progress. The figures are shown without obligation.