

BFS SR D50 4AE HVI LI PL AL V2A KST (819 283)

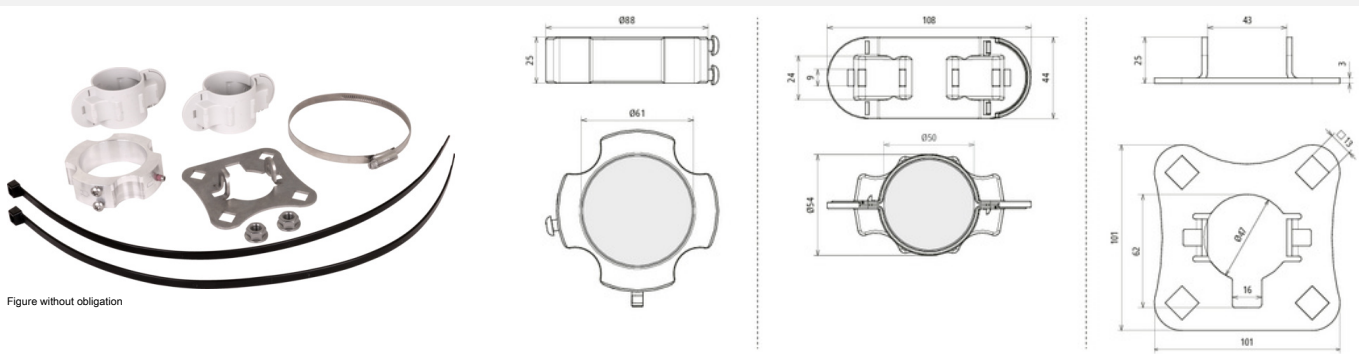


Figure without obligation

Fixing kit for attaching the HVI light plus Conductor to the HVI supporting tubes, Ø50#mm, consisting of connection plate and fixing ring with stainless steel clamp for the sealing end (including four plastic holder halves and two cable ties).

Type	BFS SR D50 4AE HVI LI PL AL V2A KST
Part No.	819 283
Material	StSt/Al /Plastic
Diameter Ø fixing ring	61 mm
Diameter Ø plastic holder	50 mm
Connection plate support	Square hole, 13 mm
Conductor holder	4x
Standard	DIN IEC/TS 62561-8 (VDE V 0185-561-8)
Weight	422 g
Customs tariff number (Comb. Nomenclature EU)	85389099
GTIN	4013364499621
PU	1 pc(s)

We reserve the right to introduce changes in performance, configuration and technology, dimensions, weights and materials in the course of technical progress. The figures are shown without obligation.