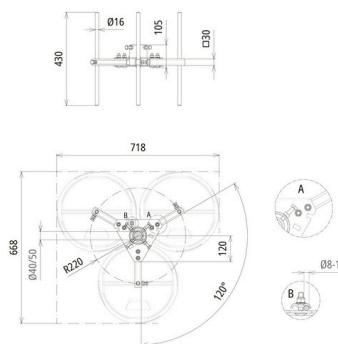


DBS KB D40.50 RA220 STTZN (105 357)



Figure without obligation



Space-saving tripod, height-adjustable and hinged for supporting air-termination rods and supporting tubes Ø40mm and Ø50mm. Compensation for roof pitches of up to 10° possible. Support of up to four concrete bases per leg possible.

Type	DBS KB D40.50 RA220 STTZN
Part No.	105 357
Material of tripod	SttZn
Support	40 / 50 mm
Radius	220 mm
Space required for tripod	668 x 718 mm
Number of concrete bases	3-12 blocks, 17 kg each
Screw	☛ M10 x 40 mm
Standard	DIN EN 62561-1
Weight	8,01 kg
Customs tariff number (Comb. Nomenclature EU)	85389099
GTIN	4013364527829
PU	1 pc(s)

We reserve the right to introduce changes in performance, configuration and technology, dimensions, weights and materials in the course of technical progress. The figures are shown without obligation.