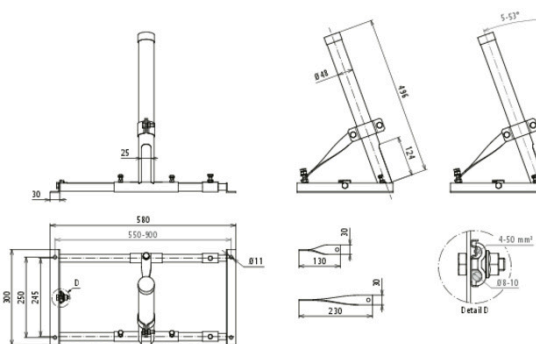




**MDH D48 VB550.900 V2A (105 241)**



Figure without obligation



| Type   | MDH D48 VB550.900 V2A |
|--|-----------------------|
| Part No.                                       | 105 241               |
| Material                                       | StSt                  |
| Adjustment range                               | 550-900 mm            |
| Roof inclination                               | 5-53°                 |
| Diameter Ø of supporting tube                  | 48 mm                 |
| Diameter Ø of cable bushing in supporting tube | 25 mm                 |
| Clamping range Rd                              | 8-10 mm               |
| Connection (solid / stranded)                  | 4-50 mm <sup>2</sup>  |
| Standard                                       | EN 62561-1            |
| Weight   | 4,66 kg               |
| Customs tariff number (Comb. Nomenclature EU)  | 73089098              |
| GTIN   | 4013364361225         |
| PU   | 1 pc(s)               |

We reserve the right to introduce changes in performance, configuration and technology, dimensions, weights and materials in the course of technical progress. The figures are shown without obligation.