

DLH DS 8 H16 KP K AL (297 130)

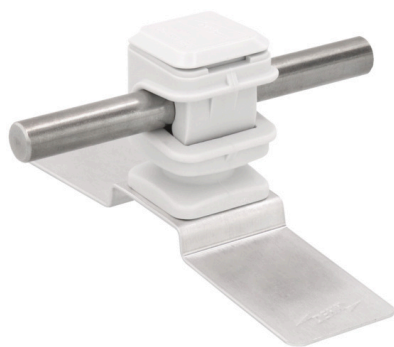
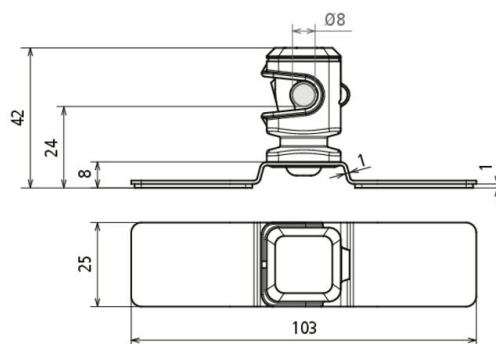


Figure without obligation



Type	DLH DS 8 H16 KP K AL
Part No.	297 130
Brace material	Aluminium – formable
Material of conductor holder	Plastic
Colour of conductor holder	grey
Conductor support Rd	8 mm
Type of conductor holder	DEHNSnap
Height of conductor holder	16 mm
Female thread	M6
Conductor routing	loose
Dimensions	as per CAD
Adherend	1600 mm ²
Tensile strength	940 N
Transverse resistance (dynamic)	760 N
Weight	20 g
Customs tariff number (Comb. Nomenclature EU)	85389099
GTIN	4013364492523
PU	50 pc(s)

We reserve the right to introduce changes in performance, configuration and technology, dimensions, weights and materials in the course of technical progress. The figures are shown without obligation.