

DLH DG 8 H20 KP V2A AL (297 140)

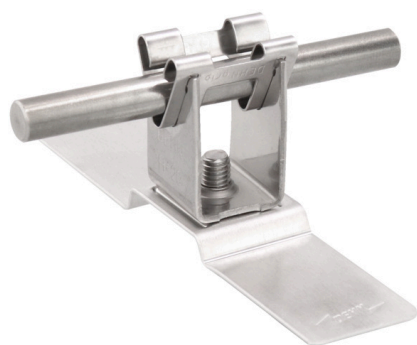
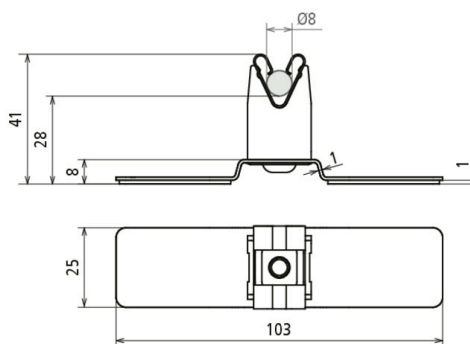


Figure without obligation



Type	DLH DG 8 H20 KP V2A AL
Part No.	297 140
Brace material	Aluminium – formable
Material of conductor holder	StSt
Conductor support Rd	8 mm
Type of conductor holder	DEHNgrip
Height of conductor holder	20 mm
Female thread	M6
Conductor routing	loose
Dimensions	as per CAD
Adherend	1600 mm ²
Tensile strength	940 N
Transverse resistance (dynamic)	760 N
Weight	28 g
Customs tariff number (Comb. Nomenclature EU)	85389099
GTIN	4013364492530
PU	50 pc(s)

We reserve the right to introduce changes in performance, configuration and technology, dimensions, weights and materials in the course of technical progress. The figures are shown without obligation.