



KS 16 8.10 FL30 OV ZP CU (316 167)

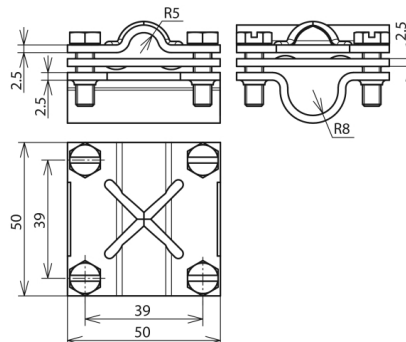


Figure without obligation



Arrangement:

Type	KS 16 8.10 FL30 OV ZP CU
Part No.	316 167
Material of clamp	Cu
Clamping range Rd / Rd	16 / 8-10 mm
Clamping range Rd / FI	16 / 30 mm
Clamping range (stranded / cable)	35-120 mm ²
Screw	⚙️ M6 x 20 mm
Material of screw	StSt
Dimensions	50 x 50 x 2.5 mm
Intermediate plate	yes
Lightning current carrying capability (10/350 μs)	100kA ^{*)}
Standard	EN 62561-1
Weight	209 g
Customs tariff number (Comb. Nomenclature EU)	85359000
GTIN	4013364035386
PU	25 pc(s)

^{*)} For exact assignment see test certificate.

We reserve the right to introduce changes in performance, configuration and technology, dimensions, weights and materials in the course of technical progress. The figures are shown without obligation.