

## WB D55.100 SE WA150 STTZN (105 352)

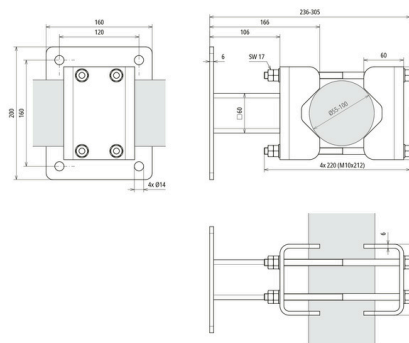
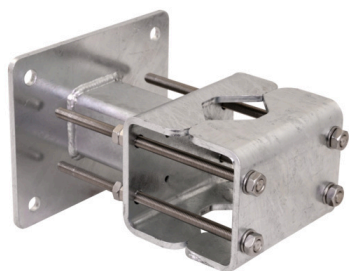


Figure without obligation

Type	WB D55.100 SE WA150 STTZN
Part No.	105 352 <b>NEW</b>
Material	HDG steel
Fixing	[4x] Ø14 mm
Distance from wall	106 mm
Clamping range (Ø mast)	55-100 mm
Material of threaded rod / nut / washer	StSt
Weight	5,36 kg
Customs tariff number (Comb. Nomenclature EU)	85389099
GTIN	4013364502727
PU	1 pc(s)

We reserve the right to introduce changes in performance, configuration and technology, dimensions, weights and materials in the course of technical progress. The figures are shown without obligation.