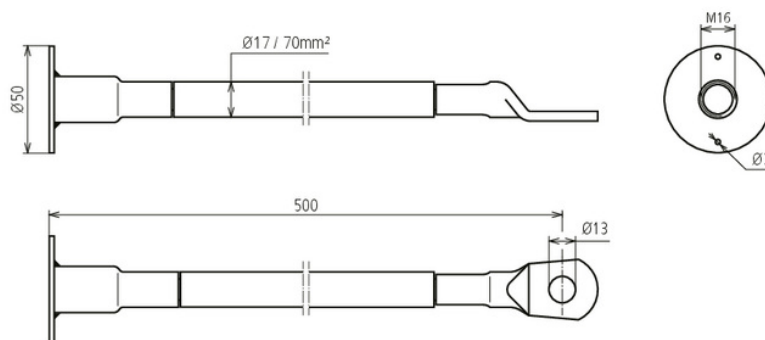


D BEB 11 / EBS 15-03-27 (419 110)



Figure without obligation



Earthing bridge for earthing large pipes

The earthing bridges are designed for earthing, return circuits and equipotential bonding in railway line applications. The version for earthing large pipes is intended for use with pile and large pipe foundations. The product consists of a copper cable with a pressed-on sleeve and stainless steel connection plate with integrated boreholes for the formwork fixing at one end, and a cable lug at the opposite end. The cable lug is used to establish a short-circuit-resistant connection to the pile or large pipe foundation. The flexibility of the cable simplifies installation in the reinforcement for the user. This earthing bridge also has the technical approval of DB Netz AG and can be used there without hesitation in planning.

Type	D BEB 11 / EBS 15-03-27
Part No.	419 110
Material of plate	StSt
Material No.	1.4301
Material of socket	St / Cu
Material of cable lug	Cu/gal Sn
Material of cable	Cu
Short-circuit current	≤ 25 kA
Test current	25 kA / 100 ms
Standard	Ril 997.0205A01
Short-circuit current (AC 50 Hz / DC) (1 s; ≤ 300°C)	7.9 kA
Thread	M16
Diameter of connection plate	50 mm
Cable	NY-Y-O
Cable cross-section	70 mm ²
Cable diameter	17 mm
Borehole cable lug	13 mm
Length	500 mm
DB drawing No.	4 Ebs 15.03.27 - 2
Weight	640 g
Customs tariff number (Comb. Nomenclature EU)	85369010
GTIN	4013364439665
PU	1 pc(s)

We reserve the right to introduce changes in performance, configuration and technology, dimensions, weights and materials in the course of technical progress. The figures are shown without obligation.