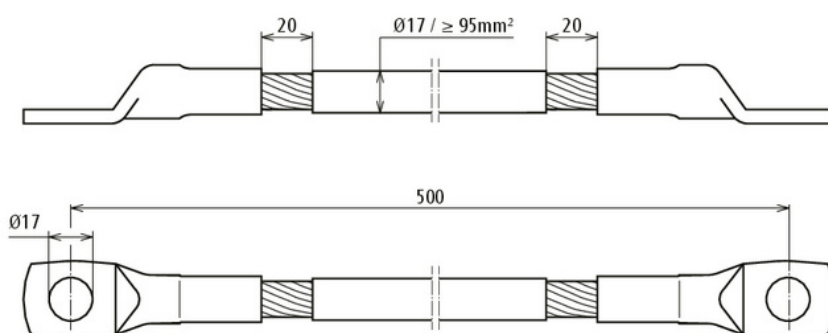


D BEB 26 / EBS 15-03-17 (419 260)



Figure without obligation



Steel cable earthing connector

The earthing connectors are designed for earthing, current return circuits and equipotential bonding in railway line applications. The halogen-free (sheathed) version D BEB 26 - for external connection of earthing points or other parts to be earthed- consists of a steel cable as an earthing conductor and is thus a preventive anti-theft measure. The earthing connectors also have technical approval from DB Netz AG and can be reliably used in planning.

Type	D BEB 26 / EBS 15-03-17
Part No.	419 260
Material of cable lug	Cu/gal Sn
Material of rope	St
Short-circuit current	≤ 25 kA
Test current	25 kA / 100 ms
Standard	Ril 997.0205A01
Short-circuit current (AC 50 Hz / DC) (1 s; ≤ 300°C)	7.9 kA
Rope	1-12-12 B 350 sZ PE
Rope cross-section	≥ 95 mm ²
Design	halogen-free
Cable diameter	17 mm
Borehole cable lug	17 mm
Length	500 mm
DB drawing No.	3 Ebs 15.03.17 - 11
Weight	630 g
Customs tariff number (Comb. Nomenclature EU)	85359000
GTIN	4013364439610
PU	1 pc(s)

We reserve the right to introduce changes in performance, configuration and technology, dimensions, weights and materials in the course of technical progress. The figures are shown without obligation.