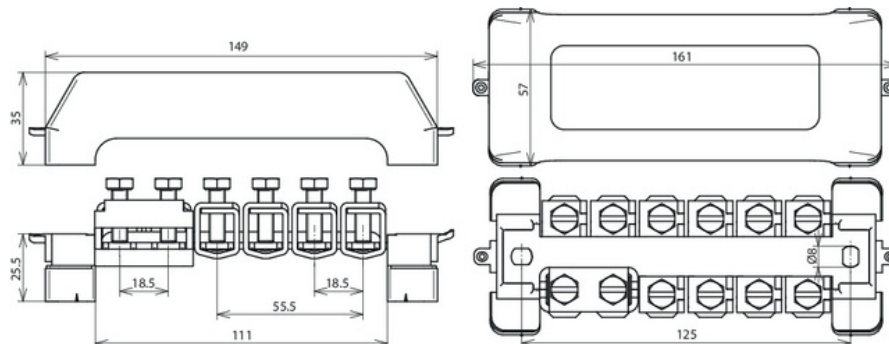




PAS 11AK (563 200)



Figure without obligation



Arrangement:



Type	PAS 11AK
Part No.	563 200
Connection (solid / stranded)	10 x 2.5-95 mm ²
Connection Rd	or 10 x -10 mm
Connection FI	1 x -30 x 4 mm
Material of cage clamp	SttZn
Material of contact rail	Cu/gal Sn
Cross section	30 mm ²
Fixing	[2x] 6 x 8 mm
Fixing frames	P (grey)
Cover	P (grey/sealable)
Lightning current carrying capability (10/350 μs)	100 kA / 50 kA ^{*)}
Short-circuit current (50 Hz) (1 s; ≤ 300 °C)	8.1 kA ^{*)}
Continuous current test (25 A; ≤ 45 K)	passed ^{*)}
Standard	EN 62561-1
Type	halogen-free
Weight	410 g
Customs tariff number (Comb. Nomenclature EU)	85359000
GTIN	4013364056558
PU	1 pc(s)

^{*)} For exact assignment, see test certificate.

We reserve the right to introduce changes in performance, configuration and technology, dimensions, weights and materials in the course of technical progress. The figures are shown without obligation.