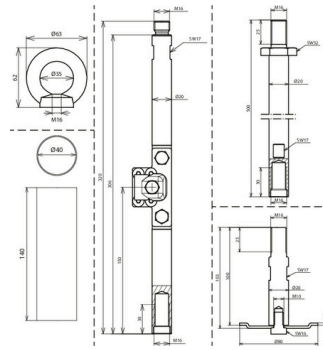


## SET STARTER KIT TE 20 M16 STTZN (621 090)



Figure without obligation



### Screwable earth rod starter kit

- 1x used for each drill hole, consisting of
- 1x connector L 320 mm (part no. 621 092)
- 2x screwable earth rod, L 500 mm (part no. 621 050)
- 1x foot piece with flange Ø80 mm (part no. 621 091)
- 1x M16 ring nut (part no. 621 097)
- 1x heat-shrinkable sleeve L 140 mm (part no. 621 096)

Type	SET STARTER KIT TE 20 M16 STTZN
Part No.	621 090
Earth electrode material	HDG steel
Rod length (l1)	500 mm
Earth electrode diameter	20 mm
Earth electrode thread	M16
Weight	3,99 kg
Customs tariff number (Comb. Nomenclature EU)	85389099
GTIN	4013364501133
PU	1 pc(s)

We reserve the right to introduce changes in performance, configuration and technology, dimensions, weights and materials in the course of technical progress. The figures are shown without obligation.