

RM M16 STTZN (621 097)

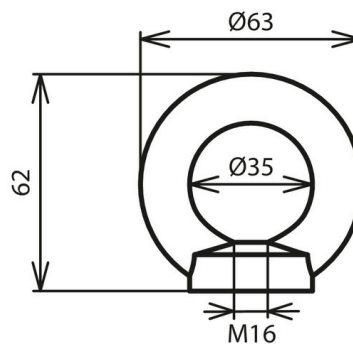


Figure without obligation

Type	RM M16 STTZN
Part No.	621 097
Material	HDG steel (C15E)
Outer diameter	63 mm
Inner diameter	35 mm
Height	62 mm
Female thread	M16
Axial load capacity (F max.)	700 kg
Standard	DIN 582
Weight	236 g
Customs tariff number (Comb. Nomenclature EU)	73181699
GTIN	4013364502741
PU	1 pc(s)

We reserve the right to introduce changes in performance, configuration and technology, dimensions, weights and materials in the course of technical progress. The figures are shown without obligation.